

# Retractable fly screens to make summer not so bitey



With summer heating things up, thoughts will be turning towards biting midges and mosquitoes, and how to keep them out! You can make your home a no-go zone for flying insects, while still being able to have your windows screen-free when you want, with retractable fly screens.

The Fly Free retractable insect screens enable the installation of fly screens for when they are needed, and then their retraction for when they are not – such as in cooler weather, or if you decide to turn the air-conditioning on and want to enjoy your view.

And price-tag is no longer an issue, with Fly Free easy to install Do-It-Yourself kits.

According to Fly Free Director, James Marriott, the range is suited to almost any sized door or window. 'They are ideal for use on casement, double hung or sliding windows, as well as French doors, sliding or hinged doors, and small bifolds,' he said.

'They are easy to install, and priced to compete with the materials a handyman might buy to make his own screens, without of course all the mucking around, and with the added benefit of retracting when you want them to. The screens retract into a discrete canister located on the frame of the door or window. From a safety perspective, they are easy to open for adults and children from school age, but not easy to open for toddlers.'

'In most areas in Australia, flying insects are a pest for at least six months of the year, and in many areas for rather longer. No matter whether we choose to live near the water, on a mountain or in the bush, Fly Free can make our chosen home environment much more pleasant all year round.'



Window kits start from \$110 and door kits from \$250. Available at many hardware stores. Contact Fly Free for a retailer near you on 1300 881 680, or order direct from their web site [www.flyfree.com.au](http://www.flyfree.com.au).



## DIY kits are great for owner builders

## Comprehensive installation diagrams

Achieve a professional finish with easy to install DIY kits. All that you require are a few simple tools to complete the job.

Select from a range of products that can be cut to suit the size of your door or window on-site.

### RETRACTABLE DOOR SCREENS

- single (for doorways up to 1100mm wide)
- double (for doorways 1100–2200mm wide)

### RETRACTABLE WINDOW SCREENS

- kits available in sizes 600, 800, 1000, 1200, 1400 mm wide x 1700 mm high. All screens can be cut down to the size of your window. Larger widths up to 1800 mm wide are made to order.

Available as inner sill (fits inside your frame) or architrave (face) mounted.

Standard frame colours are white and sunburst (matches most timber stains). You can also select from a range of secondary colours for a set price, or the full Dulux powder-coat range (POA).

All screen mesh is black only.

DIY kits come with screens, accessories and step by step diagrams to assist you with your installation. To install your Fly Free Retractable Insect Screen you will need:

Electric drop saw –preferably – if not, a good hand saw will suffice.

Phillips head screwdriver or drill fitting

Tape measure

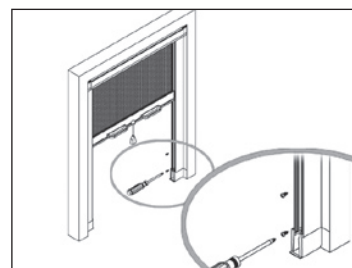
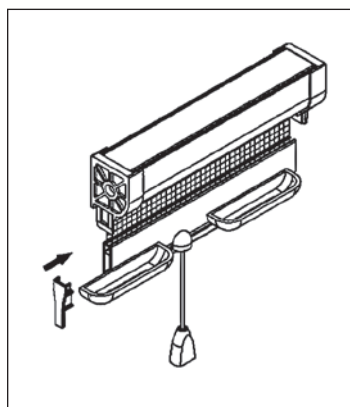
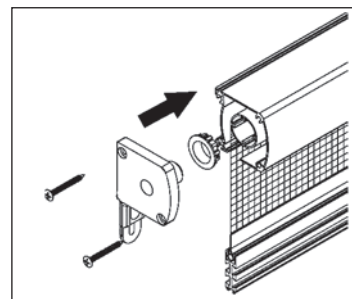
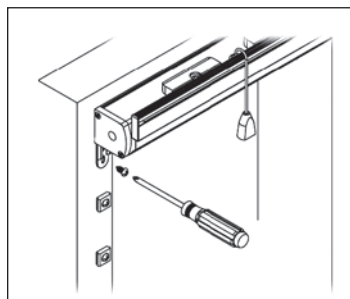
Spirit level

Set square

Drill and drill bits

DIY Kits can be freighted anywhere in Australia for a small freight charge.

**Competition closes  
30 Dec 2007.  
HURRY!**



# WIN!

**Fly Free is offering two lucky readers the chance to win retractable insect screens, to the value of \$1250 (\$800 first prize and \$450 second prize).**

To be entered into the draw, simply send the voucher below to:  
Fly Free Competition, PO Box 71, Brisbane Markets, Rocklea Qld 4106.  
Alternatively phone Fly Free on 1300 881 680 or email sales@flyfree.com.au.

Name: .....

Address: .....

Contact phone: .....

Email: .....

I am interested in this product, please send further product information

I do not wish to be contacted for further marketing purposes